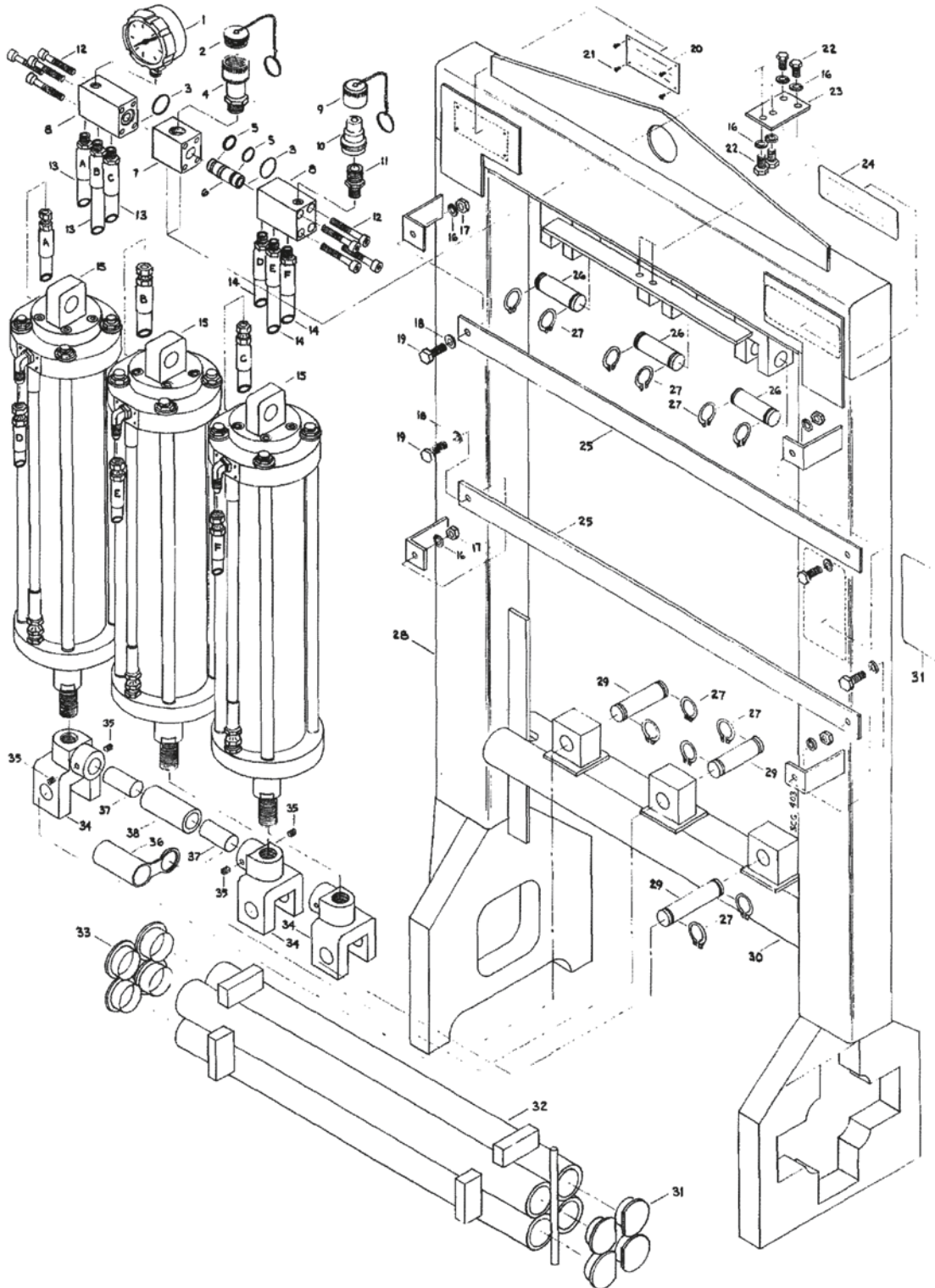


DBH-1200B

Replacement Parts

Tool Frame



MUSTANG
Squeeze Tools

2401 Lockheed Way
Carson City, NV 89706

775.883.0732 Tel
775.883.3372 Fax

mustangmfg@gbis.com
www.squeezetool.com

DBH-1200B

Replacement Parts

Tool Frame

Item	Description	Qty.	Part#
1	Pressure Gauge, 6000 psi	1	LFS224-6000
2	Dust Plug, Female Quick Disconnect	1	3005-3
3	O-Ring	2	2-119
4	Female Quick Disconnect Fitting	1	3050-3
5	O-Ring	2	2-016
6	Locking Valve Assembly	1	LV-04
7	Locking Valve Manifold Adapter Block	1	LV-06
8	Locking Valve Manifold	2	LV-07
9	Dust Cap, Male Quick Disconnect	1	3009-3
10	Male Quick, Disconnect Fitting	1	3010-3
11	Pipe Nipple Adapter	1	3/8 x 1/4 FFS
12	1/4"-20 x 2-3/4" Socket Head Cap Screw	8	20SHCP
13	Hydraulic Hose, 28"	3	HH-28
14	Hydraulic Hose, 34"	3	HH-34
15	Hydraulic Cylinder Assembly	3	HCH-1200
16	1/4" Lockwasher	8	14LW-8
17	1/4"-20NC Hex Nut	4	14HN-4
18	1/4" Flat Washer	4	14FW-4
19	1/4-20 x 1" Hex Head Bolt (Grade 5)	4	14HBG-5
20	Nameplate, Model & Capacity	1	NMC-1
21	#4 1/4" Drive Screws	4	4414-DS
22	1/4"-20 x 3/4" Hex Head Bolt (Grade 5)	4	HHBG-5
23	Hydraulic Manifold Mounting Plate	1	HMMP-12
24	Nameplate, Hydraulic Operation	1	NHO-1
25	Guard Bar, 30.5"	2	GB-30
26	Clevis Pin, Cylinder Mount	3	CPC-3
27	Retaining Ring	12	5100-100
28	DBH-1200-B Frame Assembly	1	H-1200FA
29	Clevis Pin Upper Jaw	3	CUJ-3
30	Upper Jaw	1	UJ-1200
31	Lower Jaw End Cap, Mustang	4	LJE-M4
32	Lower Jaw	1	LJ-1200
33	Lower Jaw End Cap-Size	4	LJE-S4
34	Rod Clevis H-Series	3	HC-05
35	5/16" - 18 x 3/8" Cup Point Socket Set Screw	4	516PS-1
36	SEG-30 Static Ground Spike Holster	1	H-30
37	Link Pin	2	LP-2
38	Link Tube, 3.12	1	LT-3
39	Duplex Rod Clevis w/pins & tubes	1	DHC-06



2401 Lockheed Way
Carson City, NV 89706

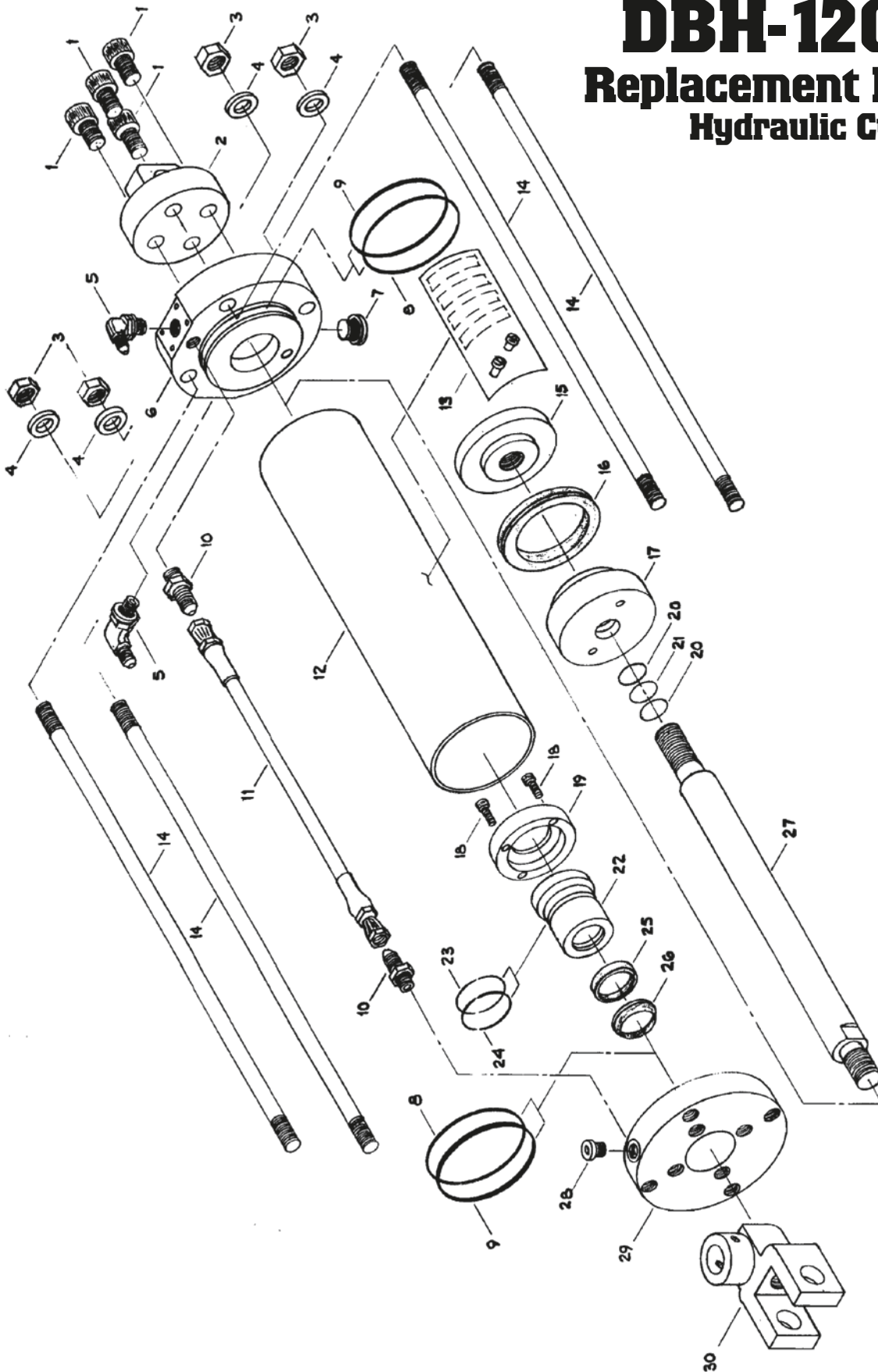
775.883.0732 Tel
775.883.3372 Fax

mustangmfg@gbis.com
www.squeezetool.com

DBH-1200B

Replacement Parts

Hydraulic Cylinder



MUSTANG
Squeeze Tools

2401 Lockheed Way
Carson City, NV 89706

775.883.0732 Tel
775.883.3372 Fax

mustangmfg@gbis.com
www.squeezetool.com

DBH-1200B

Replacement Parts

Hydraulic Cylinder

Item	Description	Qty.	Part#
1	5/8"-11 NC x 1" Soc. Hd Cap Screw	4	58SCP-4
2	Clevis Mount	1	CM-1
3	5/8"-18 NF Hex Nut (Grade 8)	4	58HN-4
4	Tie Rod Washer	4	HC-12-1
5	90 Adapt. Fitting Straight x Flare	2	4C50X-S
6	Head End Cap	1	HC-01
7	Hollow Hex Plug	1	10HP50N-S
8	O-Ring	2	2-238
9	Backing Ring	2	8-238
10	Straight x Flare Adapter Fitting	2	4F50X-S
11	Cylinder Retract Hose, 17.63 oal	1	H-68-17
12	Cylinder Barrel, 18.63	1	HC-17-2
13	Quick-Disconnect Nameplate	1	QDN-1
14	Tie Rod 21.65	4	HC-12-3
15	Piston Ring	1	HC-06
16	Piston Seal Polypak 3 x 3-3/4 x 3/8	1	461537503000
17	Piston Body	1	HC-07
18	10-32 x 1/2" Soc. Hd Cap Screw	2	1032HC-2
19	Gland Seal Hold Down Ring	1	HC-14
20	Backing Ring	2	8-023
21	O-Ring	1	2-023
22	Piston Rod Gland	1	HC-08
23	O-Ring	1	2-032
24	Backing Ring	2	8-032
25	Piston Rod Seal Poly Pak	1	18701437
26	Piston Rod Wiper	1	940-16
27	Piston Rod, 21.5	1	HC-10-2
28	Hollow Hex Plug	1	4HP50N-S
29	Rod End Cap	1	HC-02
30	Rod Clevis H-Series	1	HC-05
31	Seal Kit w/Packaging	1	68SK-1
33	DBH-1200-B Cyl. Assem Comp	1	H1200CA