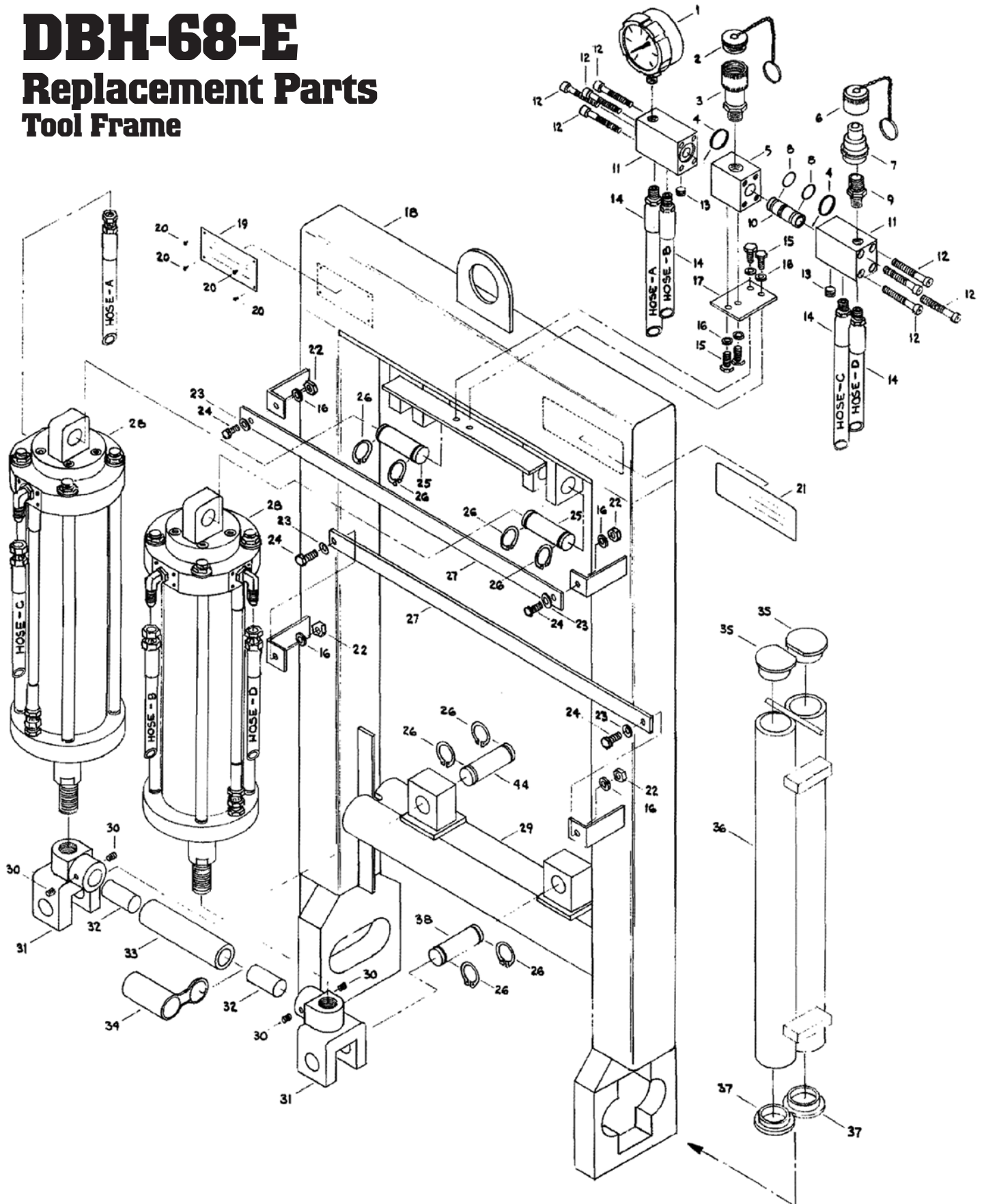


DBH-68-E

Replacement Parts

Tool Frame



MUSTANG
Squeeze Tools

2401 Lockheed Way
Carson City, NV 89706

775.883.0732 Tel
775.883.3372 Fax

mustangmfg@gbis.com
www.squeezetool.com

DBH-68-E

Replacement Parts

Tool Frame

Item	Description	Qty.	Part#
1	Pressure Gauge, 6000 psi	1	LFS224-6000
2	Dust Plug, Female Quick Disconnect	1	3005-3
3	Female Quick Disconnect Fitting	1	3050-3
4	O-Ring	2	2-119
5	Locking Valve Manifold Adapter Block	1	LV-06
6	Dust Cap, Male Quick Disconnect	1	3009-3
7	Male Quick, Disconnect Fitting	1	3010-3
8	O-Ring	2	2-016
9	Pipe Nipple Adapter	1	3/8 x 1/4 FFS
10	Locking Valve Assembly	1	LV-04
11	Locking Valve Manifold	2	LV-07
12	1/4-20 x 2-3/4" Socket Head Cap Screw	8	14SHCP-8
13	Hollow Hex Plug	2	01HP-4
14	Hydraulic Hose, 21"	4	HH-21
15	1/4-20 x 3/4" Hex Head Bolt (Grade 5)	4	14HB-4
16	1/4" Lock Washer	8	14LW-8
17	Hydraulic Manifold Mounting Plate	1	HMM-1
18	DBH-68-E Frame	1	H-68-F
19	Nameplate, Model & Capacity	1	MC-1
20	No. 4-1/4" Drive Screws	4	NA
21	Nameplate-Hydraulic Operation	1	NHO-1
22	1/4"-20NC Hex Nut	4	14HN-4
23	1/4" Flat Washer	4	14FW-4
24	1/4-20 x 1" Hex Head Bolt (Grade 5)	4	14HHB-4
25	Clevis Pin, Cylinder Mount	2	CPM-2
26	Retaining Ring	8	5100-100
27	Guard Bar, 24"	2	GB-24
28	Hydraulic Cylinder Assembly	2	HCH-68
29	Upper Jaw	1	UJ-68
30	5/16"-18 x 3/8" Cup Point Socket Set Screw	4	S16CP-4
31	Rod Clevis H-Series	2	HC-05
32	Link Pin	2	LP-2
33	Link Tube, 5.50	1	LT-5
34	SEG-30 Static Ground Spike Holster	1	H-30
35	Lower Jaw End Cap, Mustang	2	LJE-M
36	Lower Jaw	1	LJ-68
37	Lower Jaw End Cap-Size	2	LJE-S
38	Clevis Pin, Upper Jaw	2	CP-2



2401 Lockheed Way
Carson City, NV 89706

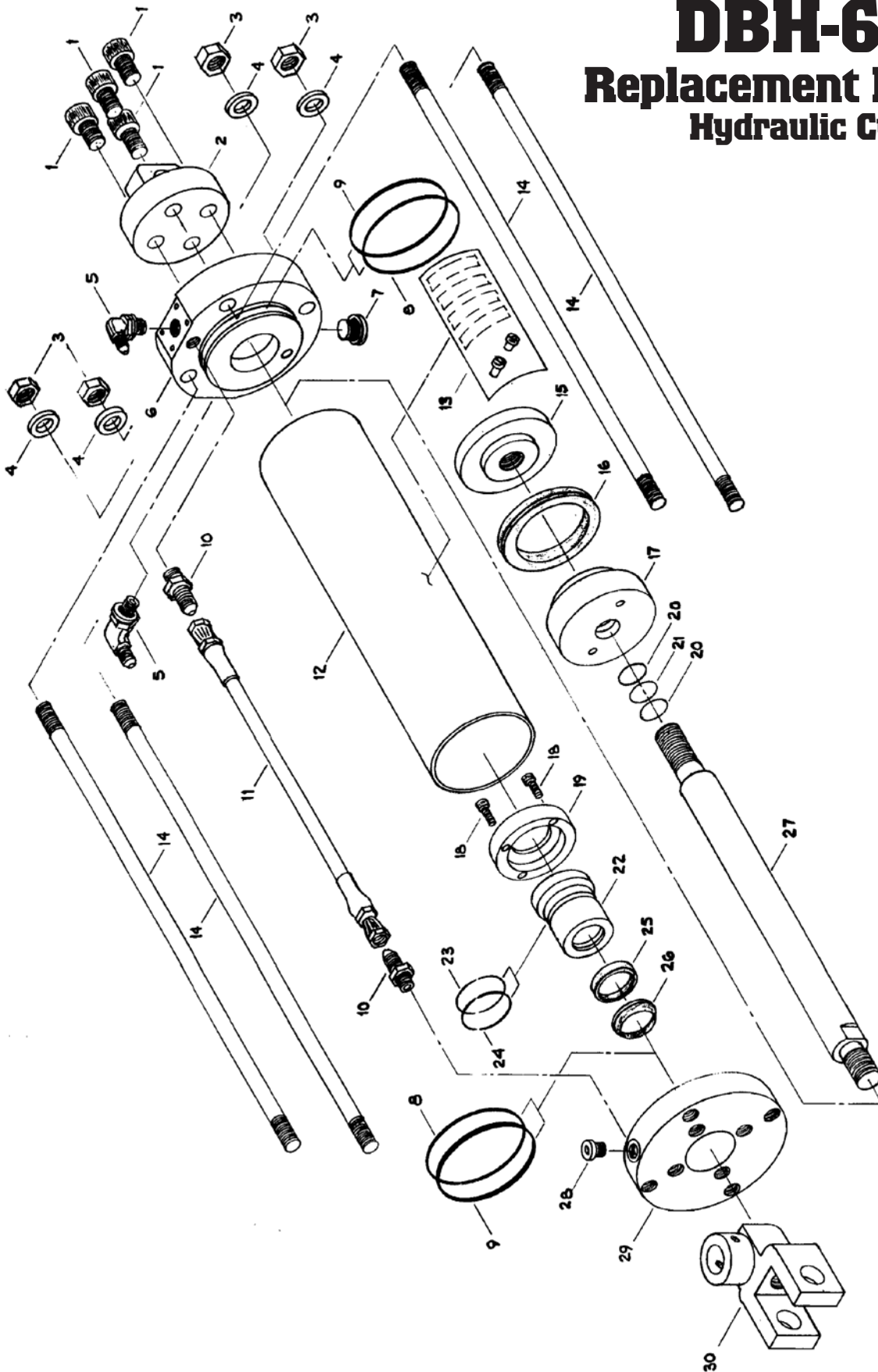
775.883.0732 Tel
775.883.3372 Fax

mustangmfg@gbis.com
www.squeezetool.com

DBH-68-E

Replacement Parts

Hydraulic Cylinder



MUSTANG
Squeeze Tools

2401 Lockheed Way
Carson City, NV 89706

775.883.0732 Tel
775.883.3372 Fax

mustangmfg@gbis.com
www.squeezetool.com

DBH-68-E

Replacement Parts

Hydraulic Cylinder

Item	Description	Qty.	Part#
1	5/8"-11 NC x 1" Soc. Hd Cap Screw	4	58SCP-4
2	Clevis Mount	1	CM-1
3	5/8"-18 NF Hex Nut (Grade 8)	4	58HN-4
4	Tie Rod Washer	4	HC-12-1
5	90 Adapt. Fitting Straight x Flare	2	4C50X-S
6	Head End Cap	1	HC-01
7	Hollow Hex Plug	1	10HP50N-S
8	O-Ring	2	2-238
9	Backing Ring	2	8-238
10	Straight x Flare Adapter Fitting	2	4F50X-S
11	Cylinder Retract Hose, 13.68 oal	1	H-68-13
12	Cylinder Barrel, 14.63	1	HC-17-1
13	Quick-Disconnect Nameplate	1	QDN-1
14	Tie Rod, 17.65	4	HC-12-2
15	Piston Ring	1	HC-06
16	Piston Seal Polypak 3 x 3-3/4 x 3/8	1	461537503000
17	Piston Body	1	HC-07
18	10-32 x 1/2" Soc. Hd Cap Screw	2	1032HC-2
19	Gland Seal Hold Down Ring	1	HC-14
20	Backing Ring	2	8-023
21	O-Ring	1	2-023
22	Piston Rod Gland	1	HC-08
23	O-Ring	1	2-032
24	Backing Ring	2	8-032
25	Piston Rod Seal Poly Pak	1	18701437
26	Piston Rod Wiper	1	940-16
27	Piston Rod, 17.5	1	HC-10-1
28	Hollow Hex Plug	1	4HP50N-S
29	Rod End Cap	1	HC-02
30	Rod Clevis H-Series	1	HC-05
31	Seal Kit w/Packaging	1	68SK-1
32	DBH-68-E Cyl. Assembly Complete	1	H68CA