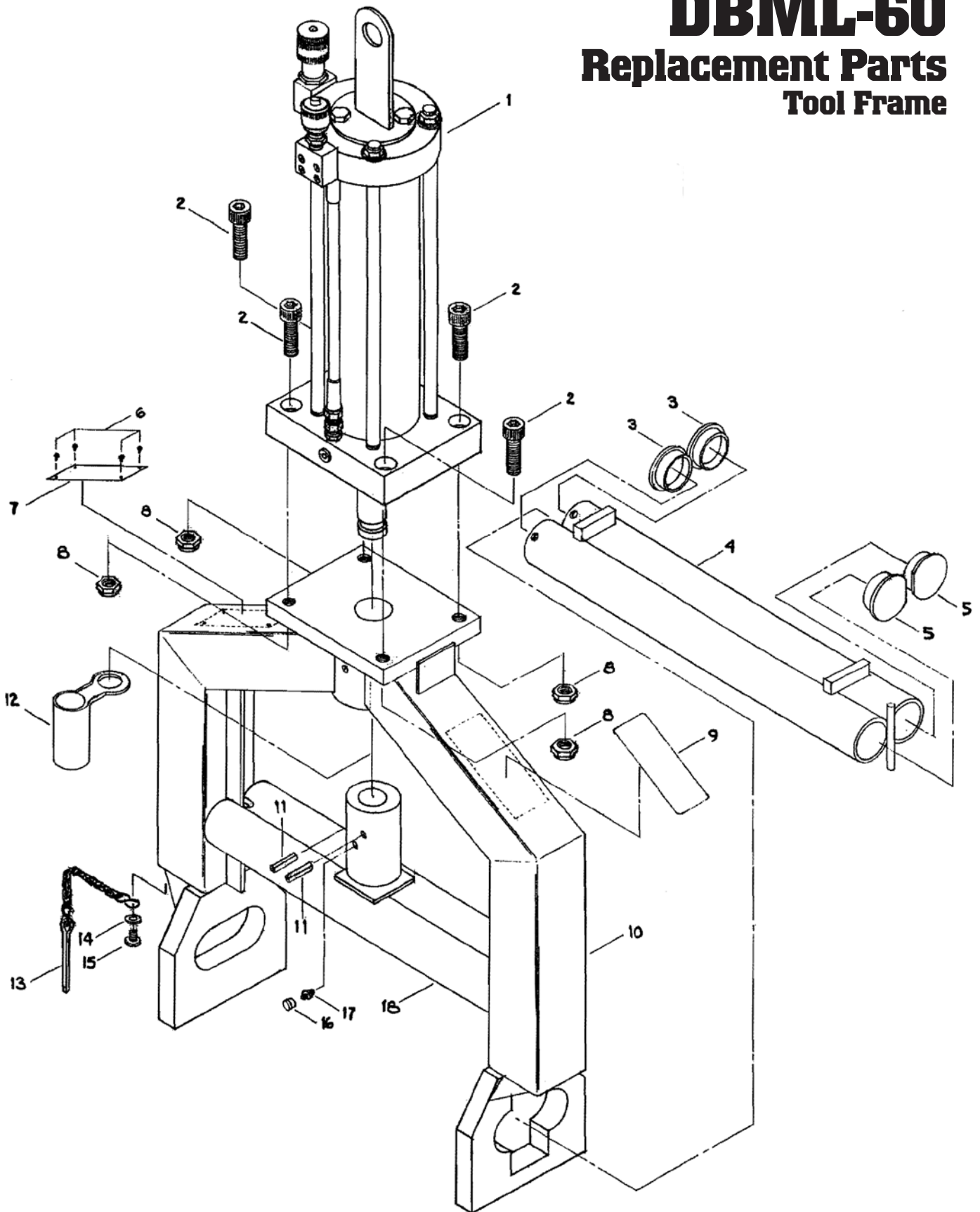


# DBML-60 Replacement Parts Tool Frame



**MUSTANG**  
Squeeze Tools

2401 Lockheed Way  
Carson City, NV 89706

775.883.0732 Tel  
775.883.3372 Fax

mustangmfg@gbis.com  
www.squeezetool.com

# DBML-60

## Replacement Parts

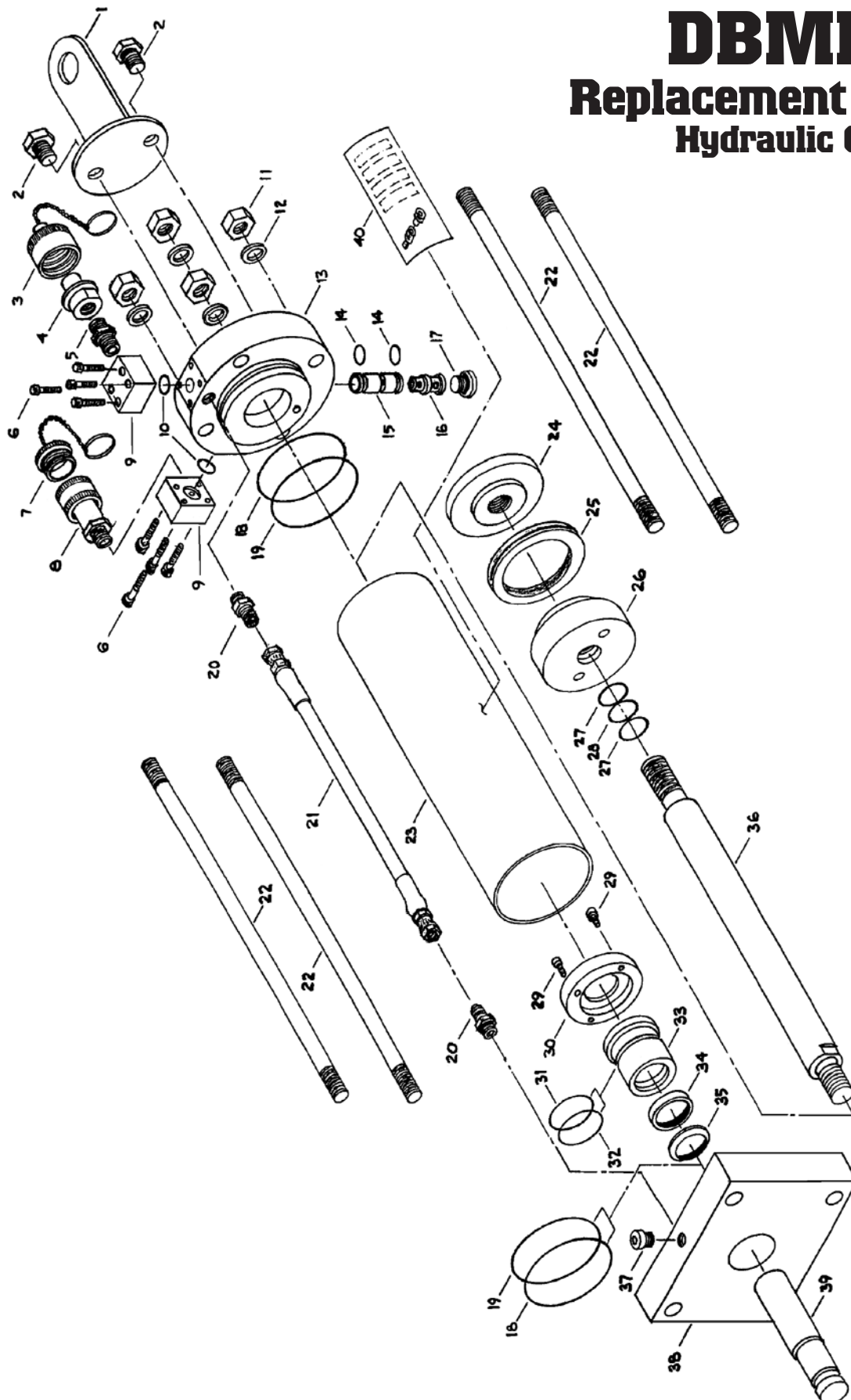
### Tool Frame

Item	Description	Qty.	Part#
1	Hydraulic Cylinder Assembly	1	HCML-60
2	5/8" -11 NC x 2" Soc. Hd. Cap Screw	4	CPS-2
3	Lower Jaw End Cap-Size	2	LJC-3
4	LJ-60 Lower Bar	1	LJ-60-4
5	Lower Jaw End Cap	2	LJE-5
6	Nameplate, Model & Capacity	1	MCL-6
8	5/8" -11 NC Locking Hex Nut	1	LHN-8
9	Nameplate, Hydraulic Operation	1	MHO-9
10	Frame Assembly	1	FA-10
11	1/4" Dia. x 1-1/2" Roll Pin	2	RP-11
12	SEG-30 Static Ground Spike Holster	1	H-30-12
13	Cotter Pin Chain Assembly	1	CA-13
14	5/16" Flat Washer SAE	1	FW-14
15	1/4" -20NC x 3/8" Slotted Pan Head Screw	1	CPS-15
17	Grease Fitting, (grease cap no longer avail)	1	P-7
18	Upper Jaw Assembly	1	UJ6-18

# DBML-60

## Replacement Parts

### Hydraulic Cylinder



**MUSTANG**  
Squeeze Tools

2401 Lockheed Way  
Carson City, NV 89706

775.883.0732 Tel  
775.883.3372 Fax

mustangmfg@gbis.com  
www.squeezetool.com

# DBML-60

## Replacement Parts

### Hydraulic Cylinder

Item	Description	Qty	Part
1	LIFTING EYE BRACKET	1	HC-16
2	5/8-11 x 1" HEX HEAD BOLT (GRADE 5)	2	1HB-2
3	DUST CAP, MALE QUICK DISCONNECT	1	3009-3
4	MALE QUICK-DISCONNECT FITTING	1	3010-3
5	FEMALE x FEMALE FITTING, 3/8	1	3/8 FF-S
6	10-32 x 1-1/4" SOCKET HEAD CAP SCREW	8	114SHC-8
7	DUST PLUG, FEMALE QUICK DISCONNECT	1	3005-3
8	FEMALE QUICK DISCONNECT FITTING	1	3050-3
9	CYLINDER PORT ADAPTER BLOCK	2	HC-13
10	O-RING	2	2-114
11	5/8 - 18 NF HEX NUT (GRADE 8)	4	18HN-4
12	TIE ROD WASHER	4	HC-12
13	HEAD END CAP	1	HC-01
14	O-RING	2	2-016
15	LOCKING VALVE ASSEMBLY	1	LV-04
16	LOCKING VALVE SPACER	1	LV-08
17	HOLLOW HEX PLUG	1	10HP50N-S
18	BACKING RING	2	8-238
19	O-RING	2	2-238
20	STRAIGHT/FLARE ADAPTER FITTING	2	4F50X-S
21	CYLINDER RETRACT HOSE	1	CRH-1

Item	Description	Qty	Part
22	TIE ROD, 16.25	4	TR-4
23	CYLINDER	1	CM-1
24	PISTON RING	1	HC-06
25	PISTON SEAL, POLYPAK, 3x33/4x3/8	1	461537503000
26	PISTON BODY	1	HC-07
27	BACKING RING	2	8-023
28	O-RING	1	2-023
29	10-32 x 1/2" SOCKET HEAD CAP SCREW	2	12SHC-2
30	GLAND SEAL HOLD DOWN RING	1	HC-14
31	O-RING	1	2-032
32	BACKING RING	1	8-032
33	PISTON ROD GLAND	1	HC-08
34	PISTON ROD SEAL, POLY PAK	1	18701437
35	PISTON ROD WIPER	1	940-16
36	PISTON ROD	1	PR-1
37	HOLLOW HEX PLUG	1	4HP50N-S
38	ROD END CAP MOUNTING BASE	1	HC-20
39	PISTON ROD ADAPTER SHAFT	1	HC-21
40	QUICK-DISCONNECT NAMEPLATE	1	QDN-1
41	DBM-60 CYLINDER ASSEMBLY, COMPLETE	1	M60-1
42	SEAL KIT WITH PACKAGING	1	SK-60