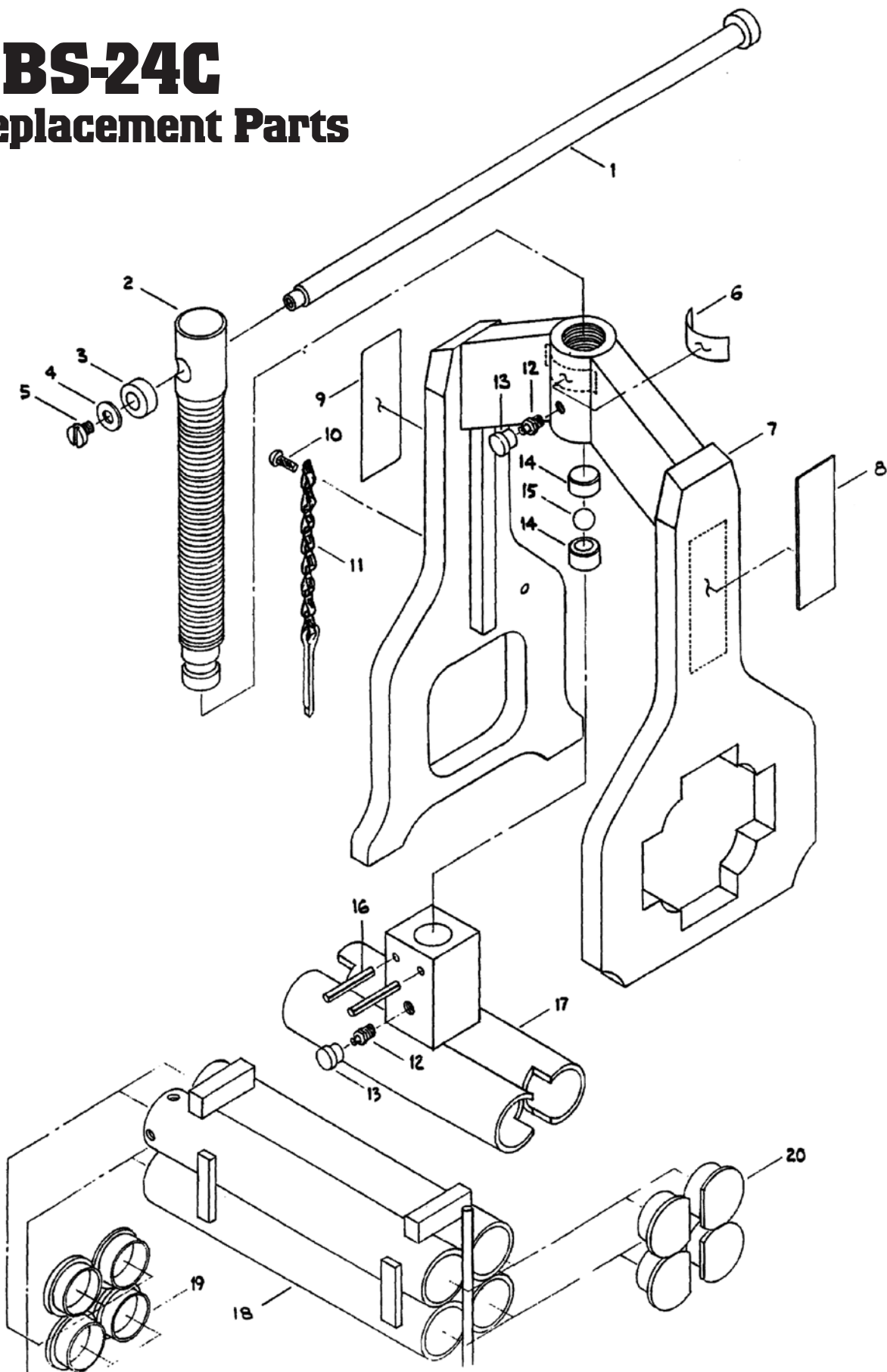


# DBS-24C

## Replacement Parts



**MUSTANG**  
Squeeze Tools

2401 Lockheed Way  
Carson City, NV 89706

775.883.0732 Tel  
775.883.3372 Fax

mustangmfg@gbis.com  
www.squeezetool.com

# DBS-24C

## Replacement Parts

Item	Description	Qty.	Part#
1	HANDLE, 12"	1	4-24C
2	POWER SCREW	1	2-24C
3	HANDLE BUTTON	1	6-24C
4	#10 FLAT WASHER	1	1-24C
5	10-32 x 3/8" SLOTTED PAN HEAD SCREW	1	5-24C
6	NAMEPLATE, CAUTION/CENTER	1	10-24C
7	DBS-24C FRAME WELDMENT	1	16-24C
8	NAMEPLATE, MODEL/CAPACITY	1	11-24C
9	NAMEPLATE, MANUAL OPERATION	1	12-24C
10	#8 x 1/2" DRIVE SCREW	1	13-24C
11	CHAIN & PIN	1	8-24C
12	GREASE FITTING	2	11-24C
13	HANDLE ASSEMBLY, COMPLETE	1	15-24C
14	BEARING RACE	2	9-24C
15	BALL BEARING	1	7-24C
16	3/16" DIA. x 1-1/4" ROLL PIN	2	15-24C
17	UPPER JAW WELDMENT	1	3-24C
18	LOWER JAW END CAP, SIZE	4	27-24C
19	LOWER JAW END CAP	4	28-24C