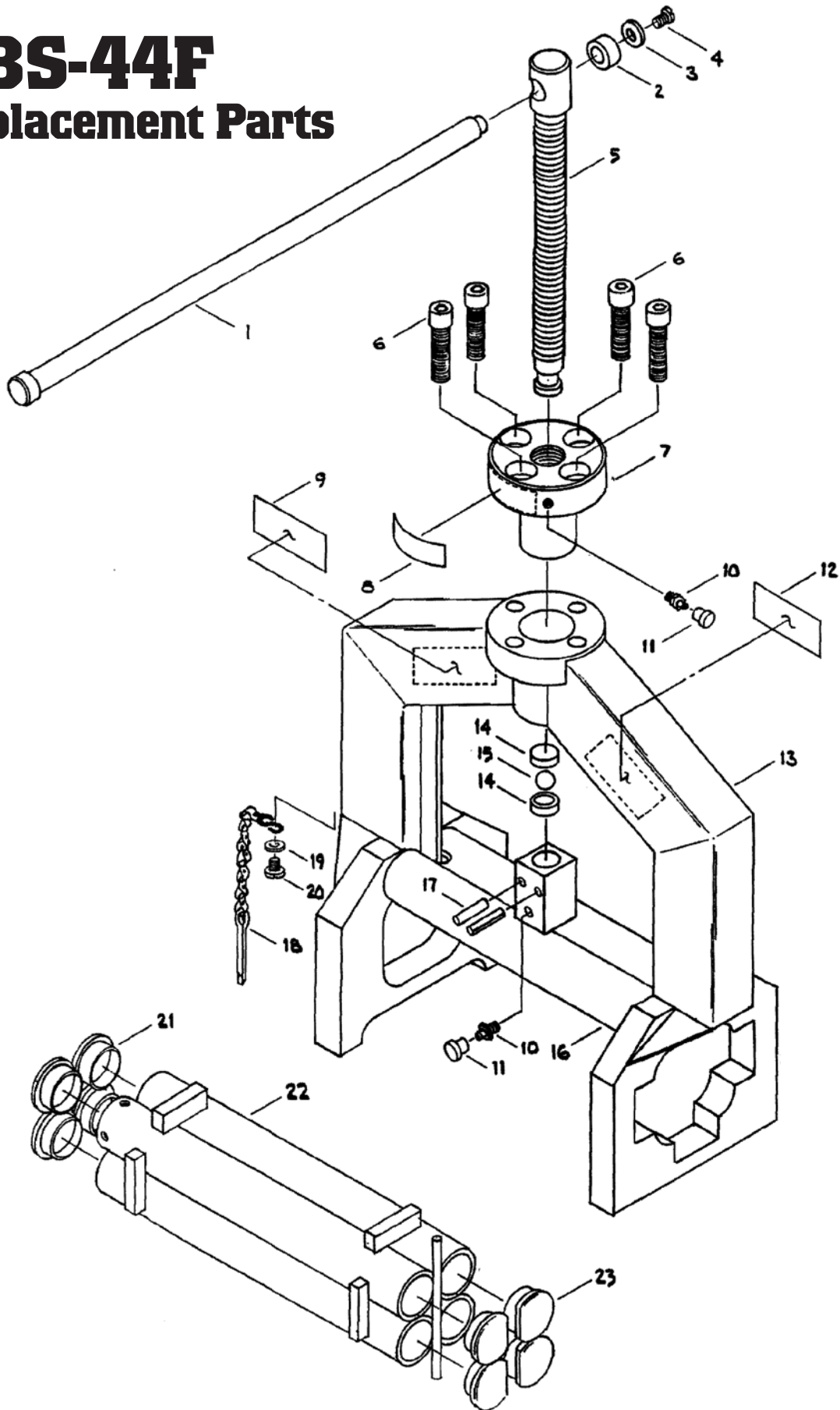


DBS-44F

Replacement Parts



MUSTANG
Squeeze Tools

2401 Lockheed Way
Carson City, NV 89706

775.883.0732 Tel
775.883.3372 Fax

mustangmfg@gbis.com
www.squeezetool.com

DBS-44F

Replacement Parts

Item	Description	Qty.	Part#
1	Handle, New 11/16" Dia x 24" Long	1	4-44F
1	Handle, Old 5/8" Dia. x 18" Long (pre 4/03)	1	444-50S
2	HANDLE BUTTON	1	404-6
3	1/4" FLAT WASHER	1	404-1
4	1/4" - 20 x 3/8" Slotted Pan Head Screw	1	404-3
5	Power Screw, New 1" - 6 Acme Thread	1	1-40C
5	Power Screw, Old 5/8 Dia. Handle (pre 4/03)		2-400S
6	1/2" - 13 NC x 1-3/4" Socket Had Cap Screw	4	404-4
7	BOLT ON DRIVE NUT	1	103-40F
8	NAMEPLATE, CAUTION STICKER	1	14-8
9	NAMEPLATE, MODEL/CAPACITY	1	40-9
12	NAMEPLATE, MANUAL OPERATION	1	14-10
13	DBS-44F FRAME WELDMENT	1	144-2
14	BEARING RACE	2	404-8
15	BALL BEARING	1	404-7
16	UPPER JAW WELDMENT	1	6-840F
17	3/16" Dia x 1-1/4" Roll Pin	2	404-5
18	CHAIN & PIN	1	404-9
19	#10 FLAT WASHER	1	404-19
20	10-32 x 3/8" Slotted Pan Head Screw	1	404-10
21	LOWER JAW, END CAPS	4	404-11
23	LOWER JAW, END CAPS-SIZE	4	404-12