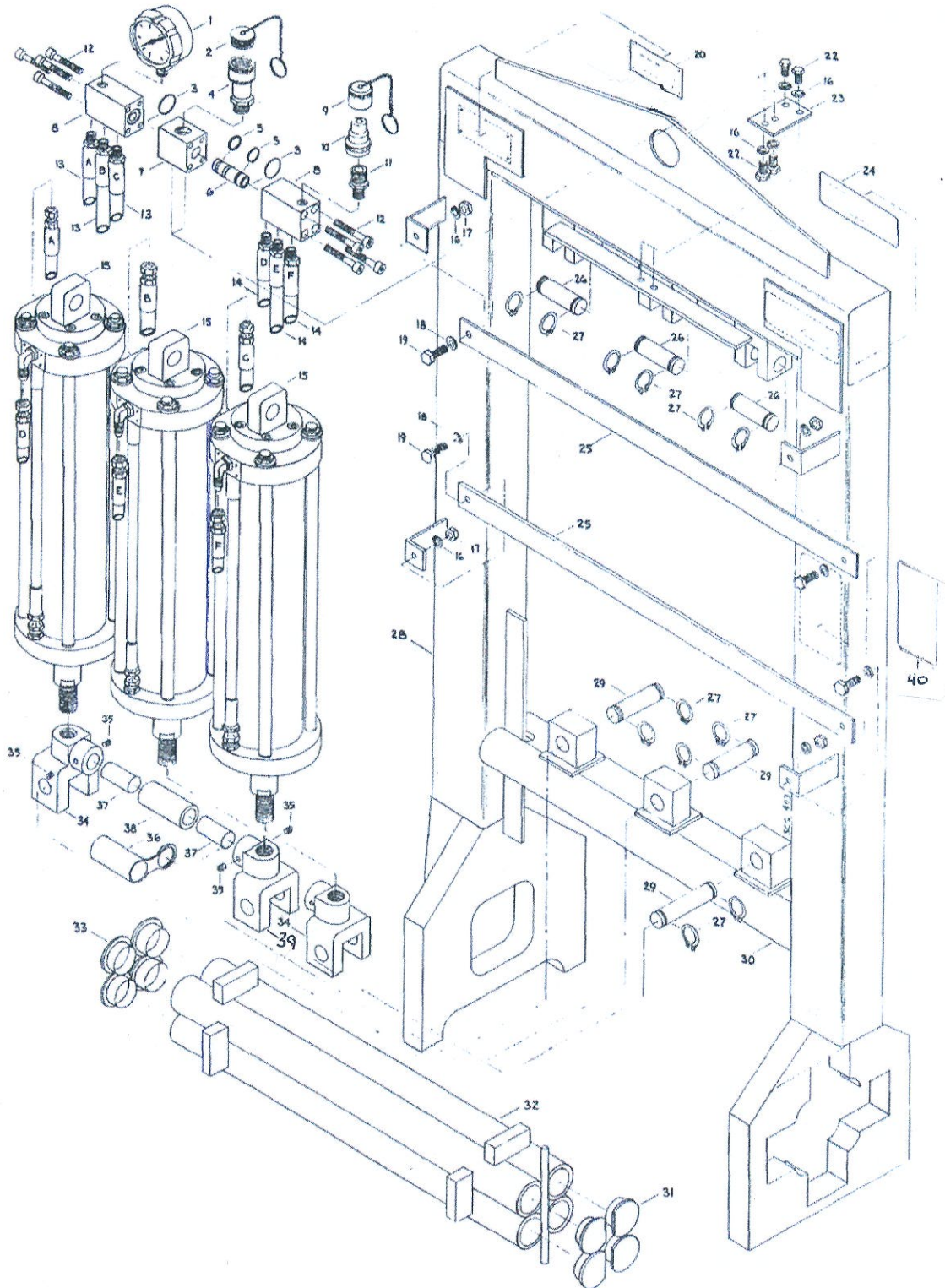


DBH-1200B

Replacement Parts

Tool Frame



MUSTANG
Squeeze Tools

2401 Lockheed Way
Carson City, NV 89706

775.883.0732 Tel
775.883.3372 Fax

mustangmfg@gbis.com
www.squeezetool.com

**MUSTANG MODEL DBH-1200-B
HYDRAULIC SQUEEZE TOOL FRAME PARTS LIST**

ITEM	DESCRIPTION	QTY.	PART NO.
1	Pressure Gauge, 6000 PSI	1	LFS224-6000
2	Dust Plug - Female Quick Disconnect	1	3005-3
3	O-Ring	2	2-119
4	Female Quick Disconnect Fitting	1	3050-3
5	O-Ring	2	2-016
6	Locking Valve Assembly	1	LV-04
7	Locking Valve Manifold Adapter Block	1	LV-06
8	Locking Valve Manifold	2	LV-07
9	Dust Cap - Male Quick Disconnect	1	3009-3
10	Male Quick-Disconnect Fitting	1	3010-3
11	Pipe Nipple Adapter	1	3/8 x 1/4 FFS
12	1/4"-20 x 2 3/4" Socket Head Cap Screw	8	20SHCP
13	Hydraulic Hose - 28"	3	HH-28
14	Hydraulic Hose - 34"	3	HH-34
15	HYDRAULIC CYLINDER ASSEMBLY FOR DBH-1200	3	HCH-1200
16	1/4" Lock Washer	8	14LW-8
17	1/4"-20NC Hex Nut	4	14HN-4
18	1/4" Flat Washer	4	W-14
19	1/4-20 x 1" Hex Head Bolt Grade 5	4	14HBG-5
20	Nameplate - Model/Capacity (Please specify sizes)	1	N-4
22	1/4"-20 x 3/4" Hex Head Bolt Grade 5	4	HHBG-5
23	Hydraulic Manifold Mounting Plate	1	HMMP-12
24	Nameplate - Hydraulic Operation	1	N-6
25	Guard Bar - 30.5"	2	GB-30
26	Clevis Pin - Cylinder Mount	3	CPC-3
27	Retaining Ring	12	5100-100
28	DBH-1200 Frame Weldment (w/o upper/lower jaws & cylinders)	1	H-1200FA
29	Clevis Pin Upper Jaw	3	CUJ-3
30	Upper Jaw	1	UJ-1200
31	Lower Jaw End Plug - Cut	4	PLC-6812
32	Lower Jaw for DBH-1200-B (Please specify sizes)	1	LJ-1200
33	Lower Jaw End Plug - Size (Please specify sizes)	4	PLS-6812
34	Rod Clevis H-Series	3	HC-05
35	5/16"-18 x 3/8" Cup Point Socket Set Screw	4	516PS-1
36	SEG-30 Static Ground Spike Holster	1	SG-10
37	Link Pin	2	LP-2
38	Link Tube - 3.12	1	LT-3
39	Duplex Rod Clevis with pins & tubes (middle part holds cylinders)	1	DHC-06
40	Quick-Disconnect Nameplate	1	QDN-1
	Quick-Disconnect Set	1	QD-SET