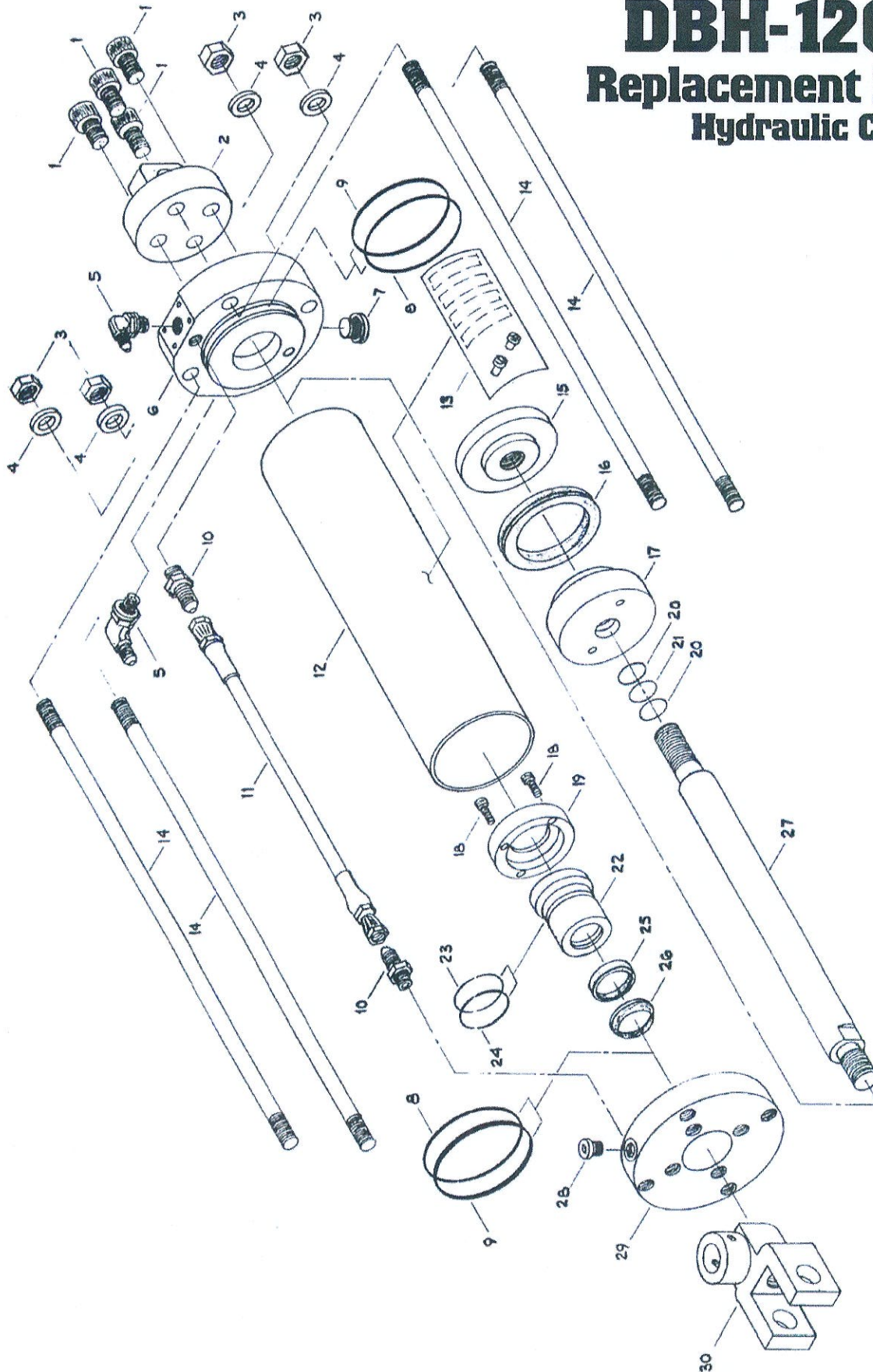


DBH-1200B

Replacement Parts

Hydraulic Cylinder



MUSTANG
Squeeze Tools

2401 Lockheed Way
Carson City, NV 89706

775.883.0732 Tel
775.883.3372 Fax

mustangmfg@gbis.com
www.squeeze-tool.com

**MUSTANG MODEL DBH-68 or DBH-1200
HYDRAULIC CYLINDER PARTS LIST**

ITEM	DESCRIPTION	QTY.	PART NO.
1	5/8" - 11 NC x 1" Soc. Head Cap Screw	4	58SCP-4
2	Clevis Mount	1	CM-1
3	5/8"-18 NF Hex Nut Grade 8	4	18HN-4
4	Tie Rod Washer	4	HC-12
5	90 Adap. Fitting Straight x Flare	2	4C50X-S
6	Head End Cap	1	HC-01
7	Hollow Hex Plug	1	10HP50N-S
8	O-Ring	2	2-238
9	Backing Ring	2	8-238
10	Straight x Flare Adapter Fitting	2	4F50X-S
11	CYLINDER RETRACT HOSE		
	DBH-68 13.68 oal	1	CRH-68
	DBH-1200 17.63 oal	1	CRH-1200
12	CYLINDER - BARREL		
	DBH-68 14.63	1	CB-68
	DBH-1200 18.63	1	CB-1200
13	Quick- Disconnect Nameplate	1	QDN-1
14	TIE ROD	4	
	DBH-68 17.65	4	TR-8068
	DBH-1200 21.65	4	TR-1200
15	Piston Ring	1	HC-06
16	Piston Seal Polypak 3 x 3 3/4 x 3/8	1	37503000
17	Piston Body	1	HC-07
18	10-32 x 1/2" Socket Head Cap Screw	2	1050
19	Gland Seal Hold Down Ring	1	HC-14
20	Backing Ring	2	8-023
21	O-Ring	1	2-023
22	Piston Rod Gland	1	HC-08
23	O-Ring	1	2-032
24	Backing Ring	2	8-032
25	Piston Rod Seal Poly Pak	1	18701437
26	Piston Rod Wiper	1	940-16
27	PISTON ROD		
	DBH-68 17.5	1	PR-68
	DBH-1200 21.5	1	PR-1200
28	Hollow Hex Plug	1	4HP50N-S
29	Rod End Cap	1	HC-02
30	Rod Clevis H-Series	1	HC-05
31	CYLINDER SEAL KIT FOR DBH-68-E	1	SK-68
32	CYLINDER SEAL KIT FOR DBH-1200-B	1	SK-1200
33	DBH-68-E CYLINDER ASSEMBLY - COMPLETE	1	H68CA
34	DBH-1200-B CYLINDER ASSEMBLY - COMPLETE	1	H1200CA