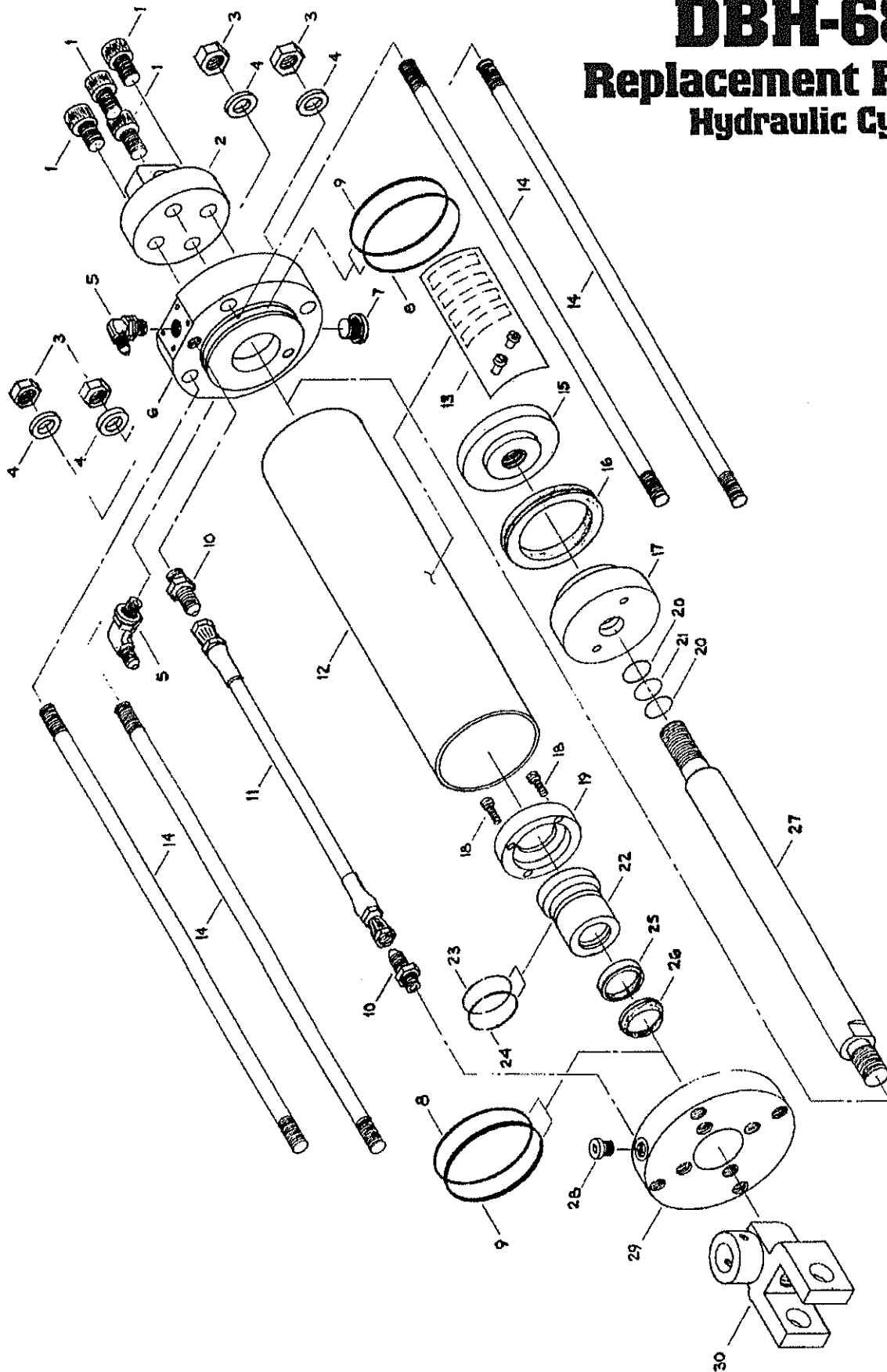


# DBH-68-E

## Replacement Parts

### Hydraulic Cylinder



**MUSTANG**  
Squeeze Tools

2401 Lockheed Way  
Carson City, NV 89706

775.883.0732 Tel  
775.883.3372 Fax

mustangmfg@gbis.com  
www.squeezetool.com

**MUSTANG MODEL DBH-68 or DBH-1200  
HYDRAULIC CYLINDER PARTS LIST**

| ITEM | DESCRIPTION                                    | QTY. | PART NO.  |
|------|--|------|-----------|
| 1    | 5/8" - 11 NC x 1" Soc. Head Cap Screw          | 4    | 58SCP-4   |
| 2    | Clevis Mount                                   | 1    | CM-1      |
| 3    | 5/8"-18 NF Hex Nut Grade 8                     | 4    | 18HN-4    |
| 4    | Tie Rod Washer                                 | 4    | HC-12     |
| 5    | 90 Adap. Fitting Straight x Flare              | 2    | 4C50X-S   |
| 6    | Head End Cap                                   | 1    | HC-01     |
| 7    | Hollow Hex Plug                                | 1    | 10HP50N-S |
| 8    | O-Ring   | 2    | 2-238     |
| 9    | Backing Ring                                   | 2    | 8-238     |
| 10   | Straight x Flare Adapter Fitting               | 2    | 4F50X-S   |
| 11   | <b>CYLINDER RETRACT HOSE</b>                   |      |           |
|      | DBH-68 13.68 oal                               | 1    | CRH-68    |
|      | DBH-1200 17.63 oal                             | 1    | CRH-1200  |
| 12   | <b>CYLINDER - BARREL</b>                       |      |           |
|      | DBH-68 14.63                                   | 1    | CB-68     |
|      | DBH-1200 18.63                                 | 1    | CB-1200   |
| 13   | Quick- Disconnect Nameplate                    | 1    | QDN-1     |
| 14   | <b>TIE ROD</b>                                 | 4    |           |
|      | DBH-68 17.65                                   | 4    | TR-8068   |
|      | DBH-1200 21.65                                 | 4    | TR-1200   |
| 15   | Piston Ring                                    | 1    | HC-06     |
| 16   | Piston Seal Polypak 3 x 3 3/4 x 3/8            | 1    | 37503000  |
| 17   | Piston Body                                    | 1    | HC-07     |
| 18   | 10-32 x 1/2" Socket Head Cap Screw             | 2    | 1050      |
| 19   | Gland Seal Hold Down Ring                      | 1    | HC-14     |
| 20   | Backing Ring                                   | 2    | 8-023     |
| 21   | O-Ring   | 1    | 2-023     |
| 22   | Piston Rod Gland                               | 1    | HC-08     |
| 23   | O-Ring   | 1    | 2-032     |
| 24   | Backing Ring                                   | 2    | 8-032     |
| 25   | Piston Rod Seal Poly Pak                       | 1    | 18701437  |
| 26   | Piston Rod Wiper                               | 1    | 940-16    |
| 27   | <b>PISTON ROD</b>                              |      |           |
|      | DBH-68 17.5                                    | 1    | PR-68     |
|      | DBH-1200 21.5                                  | 1    | PR-1200   |
| 28   | Hollow Hex Plug                                | 1    | 4HP50N-S  |
| 29   | Rod End Cap                                    | 1    | HC-02     |
| 30   | Rod Clevis H-Series                            | 1    | HC-05     |
| 31   | <b>CYLINDER SEAL KIT FOR DBH-68-E</b>          | 1    | SK-68     |
| 32   | <b>CYLINDER SEAL KIT FOR DBH-1200-B</b>        | 1    | SK-1200   |
| 33   | <b>DBH-68-E CYLINDER ASSEMBLY - COMPLETE</b>   | 1    | H68CA     |
| 34   | <b>DBH-1200-B CYLINDER ASSEMBLY - COMPLETE</b> | 1    | H1200CA   |
|      |  |      |           |