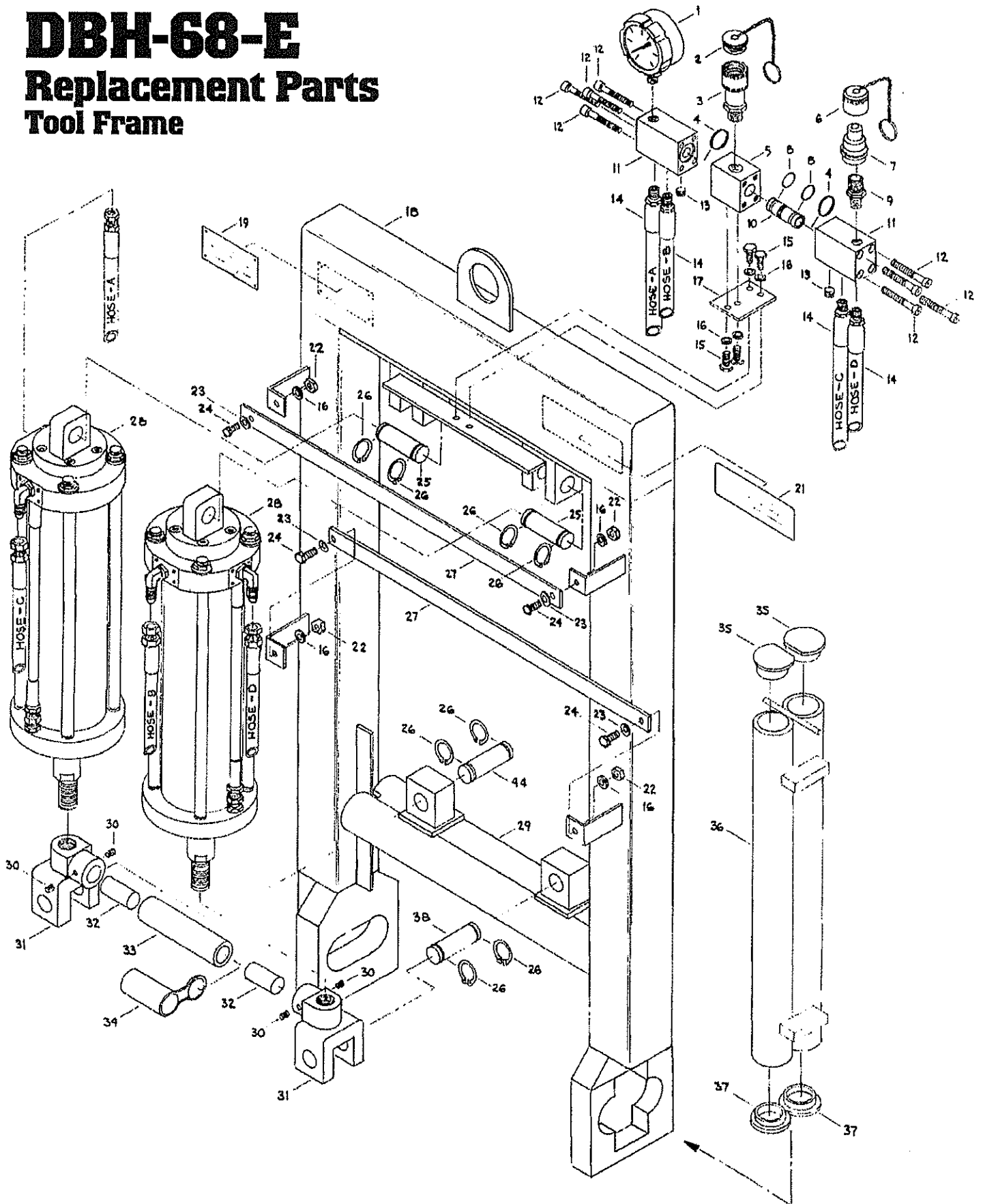


# DBH-68-E

## Replacement Parts

### Tool Frame



**MUSTANG**  
Squeeze Tools

2401 Lockheed Way  
Carson City, NV 89706

775.883.0732 Tel  
775.883.3372 Fax

mustangmfg@gbis.com  
www.squeezetool.com

**MUSTANG MODEL DBH-68-E  
HYDRAULIC SQUEEZE TOOL PARTS LIST**

<b>ITEM</b>	<b>DESCRIPTION</b>	<b>QTY.</b>	<b>PART NO.</b>
1	Pressure Gauge, 6000 PSI	1	LFS224-6000
2	Dust Plug - Female Quick Disconnect	1	3005-3
3	Female Quick Disconnect Fitting	1	3050-3
4	O-Ring	2	2-119
5	Locking Valve Manifold Adapter Block	1	LV-06
6	Dust Cap - Male Quick Disconnect	1	3009-3
7	Male Quick - Disconnect Fitting	1	3010-3
8	O-Ring	2	2-016
9	Pipe Nipple Adapter	1	3/8 x 1/4 FFS
10	Locking Valve Assembly	1	LV-04
11	Locking Valve Manifold	2	LV-07
12	1/4"-20 x 2 3/4" Socket Head Cap Screw	8	20SHCP
13	Hollow Hex Plug	2	01HP-4
14	Hydraulic Hose - 21"	4	HH-21
15	1/4-20 x 3/4" Hex Head Bolt Grade 5	4	HHBG-5
16	1/4" Lock Washer	8	14LW-8
17	Hydraulic Manifold Mounting Plate	1	HMMP-12
18	DBH-68-E Frame Weldment (w/o upper/lower jaws & cylinder)	1	FA-68
19	Nameplate - Model/Capacity (Please specify sizes)	1	N-4
21	Nameplate - Hydraulic Operation	1	N-6
22	1/4"-20NC Hex Nut	4	14HN-4
23	1/4" Flat Washer	4	W-14
24	1/4-20 x 1" Hex Head Bolt Grade 5	4	14HBG-5
25	Clevis Pin - Cylinder Mount	2	CPC-3
26	Retaining Ring	8	5100-100
27	Guard Bar - 24"	2	GB-24
28	<b>HYDRAULIC CYLINDER ASSEMBLY FOR DBH-68-E</b>	2	HCH-68
29	Upper Jaw Assembly for DBH-68-E	1	UJ-68
30	5/16"-18 x 3/8" Cup Point Socket Set Screw	4	516PS-1
31	Rod Clevis H-Series	2	HC-05
32	Link Pin	1	LP-2
33	Link Tube - 5.50	1	LT-5
34	SEG-30 Static Ground Spike Holster	1	SG-10
35	Lower Jaw End Plug - Blank	2	LJB-68
36	Lower Jaw for DBH-68-E (Please specify the sizes)	2	LJ-68
37	Lower Jaw End Plug - Size (Please specify the sizes)	2	LJS-68
38	Clevis Pin - Upper Jaw	2	CUJ-3
	Quick-Disconnect Set		QD-SET