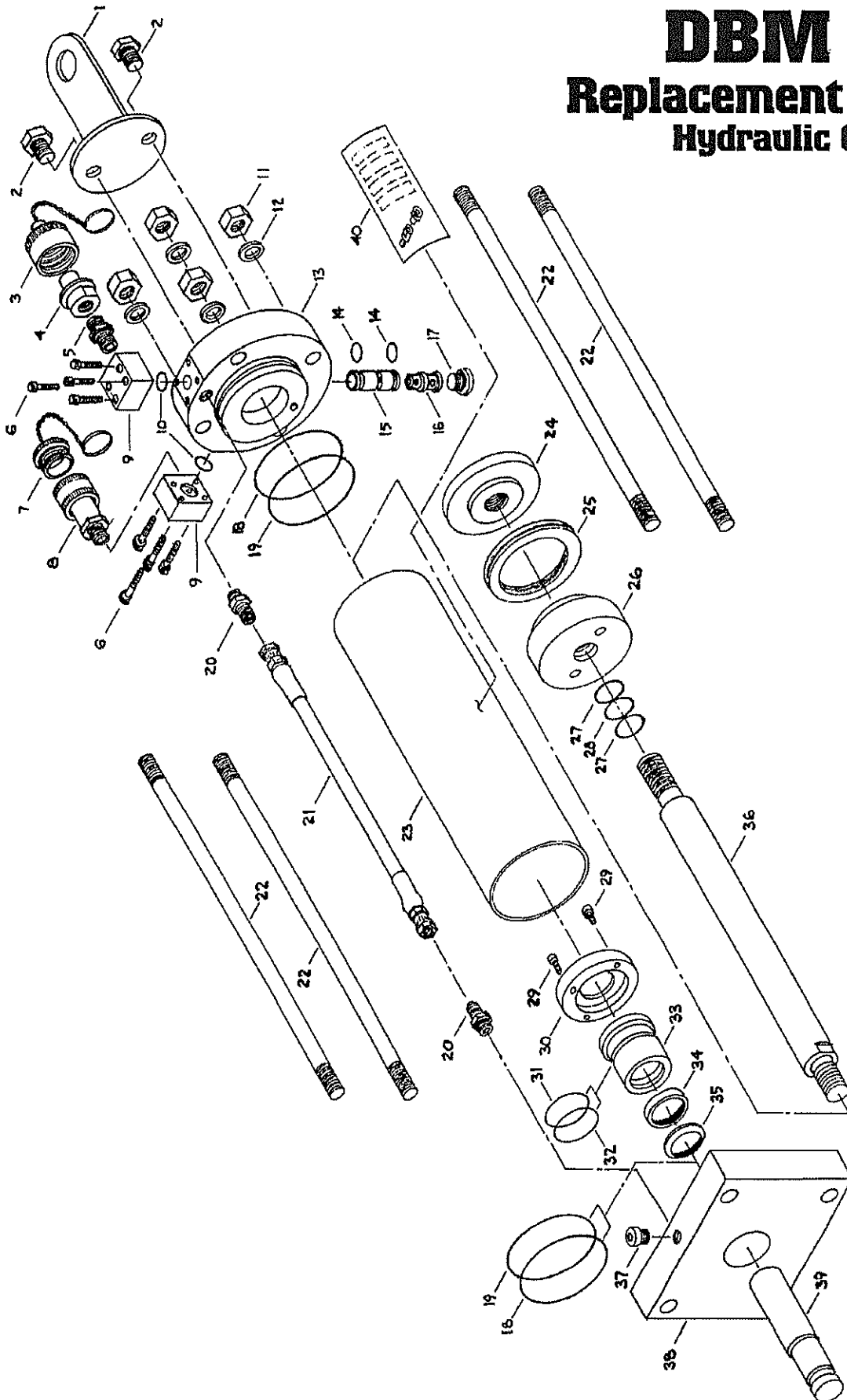


DBM -60

Replacement Parts

Hydraulic Cylinder



MUSTANG
Squeeze Tools

2401 Lockheed Way
Carson City, NV 89706

775.883.0732 Tel
775.883.3372 Fax

mustangmfg@gbis.com
www.squeezetool.com

MUSTANG DBM-60 HYDRAULIC CYLINDER PARTS LIST

ITEM	DESCRIPTION	QTY.	PART NO.
1	Lifting Eye Bracket	1	HC-16
2	5/8-11 x 1" Hex Head Bolt Grade 5	2	1HB-2
3	Dust Cap - Male Quick Disconnect	1	3009-3
4	Male Quick - Disconnect Fitting	1	3010-3
5	Male x Male Fitting 3/8	1	3/8 FF-S
6	10-32 x 1 1/4" Socket Head Cap Screw	8	114SHC-8
7	Dust Plug - Female Quick Disconnect	1	3005-3
8	Female Quick Disconnect Fitting	1	3050-3
9	Cylinder Port Adapter Block	2	HC-13
10	O-Ring	2	2-114
11	5/8 - 18 NF Hex Nut Grade 8	4	18HN-4
12	Tie Rod Washer	4	HC-12
13	Head End Cap	1	HC-01
14	O-Ring	2	2-016
15	Locking Valve Assembly	1	LV-04
16	Locking Valve Spacer	1	LV-08
17	Hollow Hex Plug	1	10HP50N-S
18	Backing Ring	2	8-238
19	O-Ring	2	2-238
20	Straight/Flare Adapter Fitting	2	4F50X-S
21	Cylinder Retract Hose	1	CRH-60
22	Tie Rod - 16.25	4	TR-60
23	Cylinder Barrel for DBM-60	1	CB-60
24	Piston Ring	1	HC-06
25	Piston Seal Polypak 3x33/4x3/8	1	37503000
26	Piston Body	1	HC-07
27	Backing Ring	2	8-023
28	O-Ring	1	2-023
29	10-32 x 1/2" Socket Head Cap Screw	2	1050
30	Gland Seal Hold Down Ring	1	HC-14
31	O-Ring	1	2-032
32	Backing Ring	1	8-032
33	Piston Rod Gland	1	HC-08
34	Piston Rod Seal Polypak	1	18701437
35	Piston Rod Wiper	1	940-16
36	Piston Rod for DBM-60	1	PR-60
37	Hollow Hex Plug	1	4HP50N-S
38	Rod End Cap Mounting Base	1	HC-20
39	Piston Rod Adapter Shaft	1	HC-21
40	Quick-Disconnect Nameplate	1	QDN-1
41	DBM-60 CYLINDER ASSEMBLY - COMPLETE	1	HCH-60
42	Cylinder Seal Kit for DBM-60	1	SK-60
	Quick-Disconnect Set	1	QD-SET