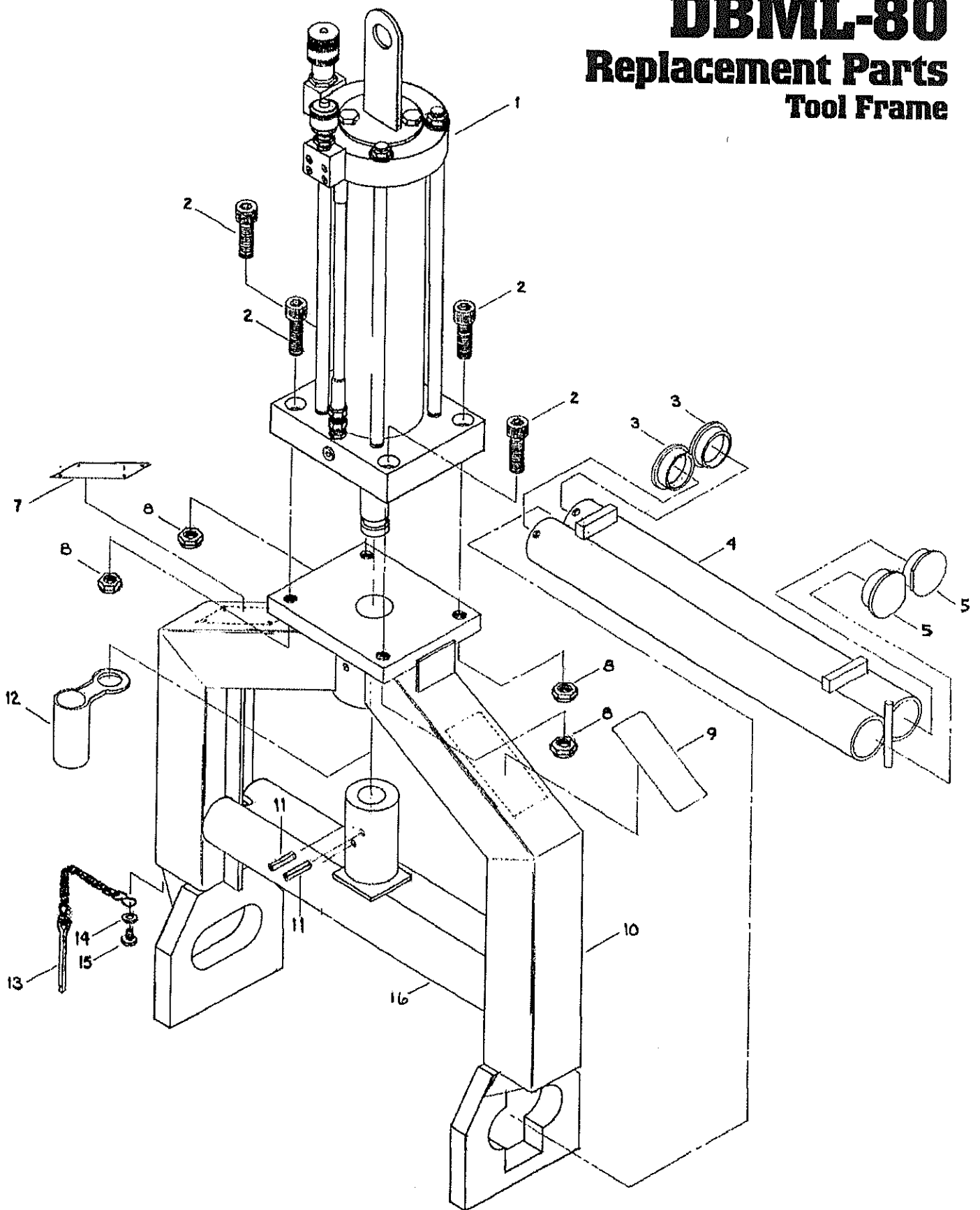


DBML-80 Replacement Parts Tool Frame



MUSTANG
Squeeze Tools

2401 Lockheed Way
Carson City, NV 89706

775.883.0732 Tel
775.883.3372 Fax

mustangmfg@gbis.com
www.squeezetool.com

**MUSTANG MODEL DBML-80
HYDRAULIC SQUEEZE TOOL FRAME PARTS LIST SERIES M-4**

ITEM	DESCRIPTION	QTY.	PART NO.
1	Hydraulic Cylinder Assembly for DBML-80	1	HCML-80
2	5/8"-11 NC x 2" Soc. Head Cap Screw	4	CPS-2
3	Lower Jaw End Plug - Size (Please specify sizes)	2	PLS-81268
4	Lower Jaw (Please specify sizes)	1	LJ-ML80
5	Lower Jaw End Plug - Cut	2	PLC-81268
7	Nameplate - Model & Capacity (Please specify sizes)	1	N-4
8	5/8"-11 NC Locking Hex Nut	4	LHN-8
9	Nameplate - Hydraulic Operation	1	N-6
10	DBML-80 Frame Weldment (w/o upper/lower jaw & cylinder)	1	1-M80
11	1/4" Dia. X 1 1/2" Roll Pin	2	RP-14
12	SEG-30 Static Ground Spike Holster	1	SG-10
13	Cotter Pin Chain Assembly	1	CP-A
14	5/16" Flat Washer SAE	1	W-516
15	1/4"-20NC x 3/8" Slotted Pan Head Screw	1	S-1420
16	Upper Jaw Assembly for DBML-80	1	UJ-ML80