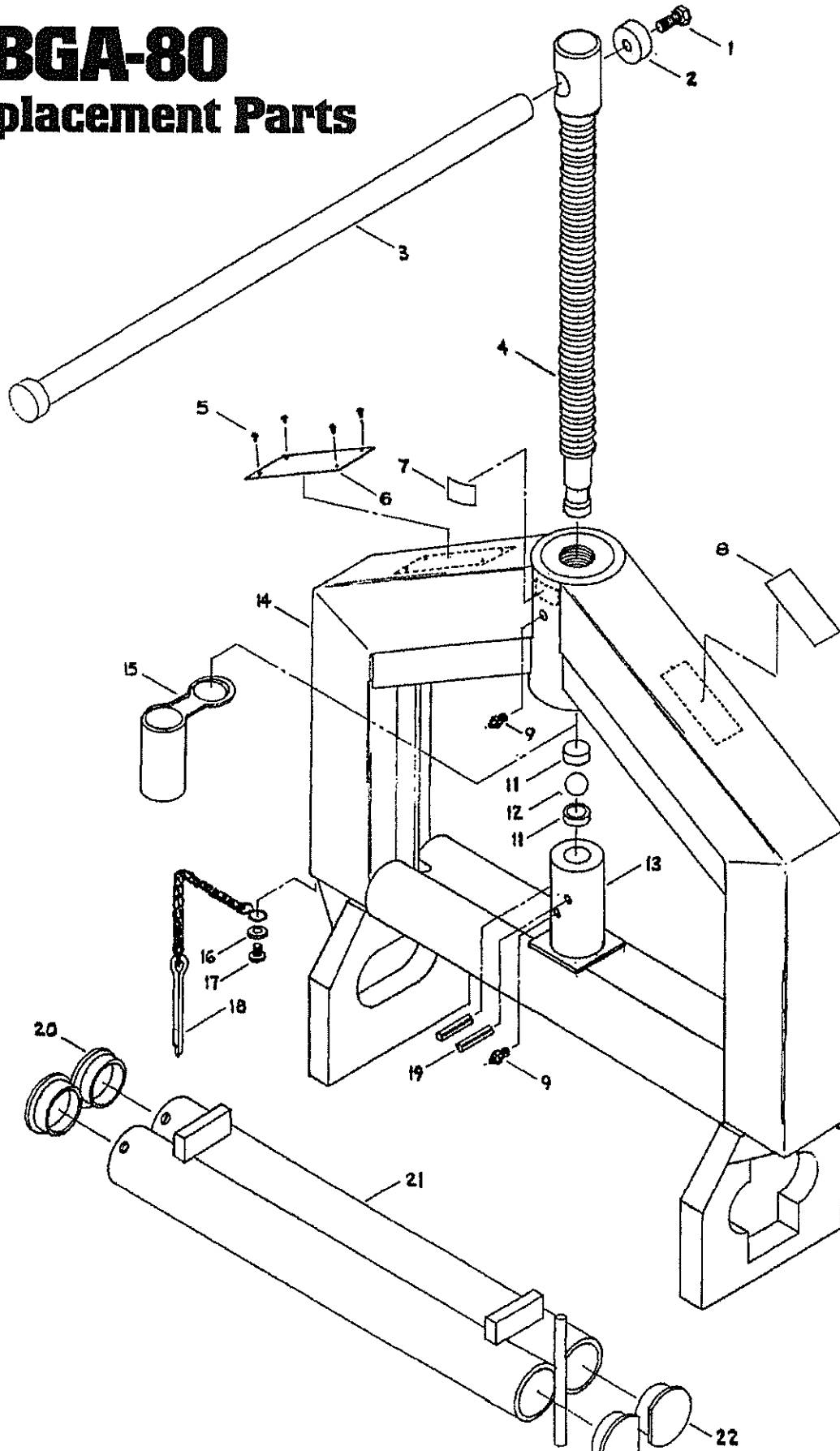


DBGA-80 Replacement Parts



MUSTANG
Squeeze Tools

2401 Lockheed Way
Carson City, NV 89706

775.883.0732 Tel
775.883.3372 Fax

mustangmfg@gbis.com
www.squeezetool.com

**MUSTANG MODEL DBGA-80
MANUAL SQUEEZE TOOL PARTS LIST**

ITEM	DESCRIPTION	QTY.	PART NO.
1	3/8-16 NCx 1" Hex Head Screw *	1	4-8
2	Handle Button *	1	5-8
3	Handle *	1	2-8
	* HANDLE ASSEMBLY - COMPLETE (Incl. Handle,Button & Screw)	1	18-8
4	Power Screw, 1 3/8-16 Acme Thread	1	1-8A
6	Nameplate - Model/Capacity (Please specify sizes)	1	3-8
7	Caution Center Sticker	1	14-8
8	Manual Operation Sticker	1	19-8
9	Grease Fitting	1	13-8
11	Bearing Race (PAIR)	2	8-8
12	Ball Bearing	1	7-8
13	Upper Jaw with Bearing Block	1	6-8
14	Frame Weldment (without upper jaw & power screw)	1	17-8
15	SEG-30 Static Grounding Spike Holster	1	H-30
16	5/16" Flat Washer SAE	1	20-8
17	1/4"-20 NC x 3/8" Slotted Pan Head Screw	1	21-8
18	Chain & Pin Assembly	1	10-8
19	1/4" Dia. X 1 1/2" Roll Pin	2	9-8
20	Lower Jaw End Plug - SIZE (Please specify sizes)	2	LJC-S
21	Lower Jaw (Please specify sizes)	1	LJGA-80
22	Lower Jaw End Plug - Cut	1	LJC-M