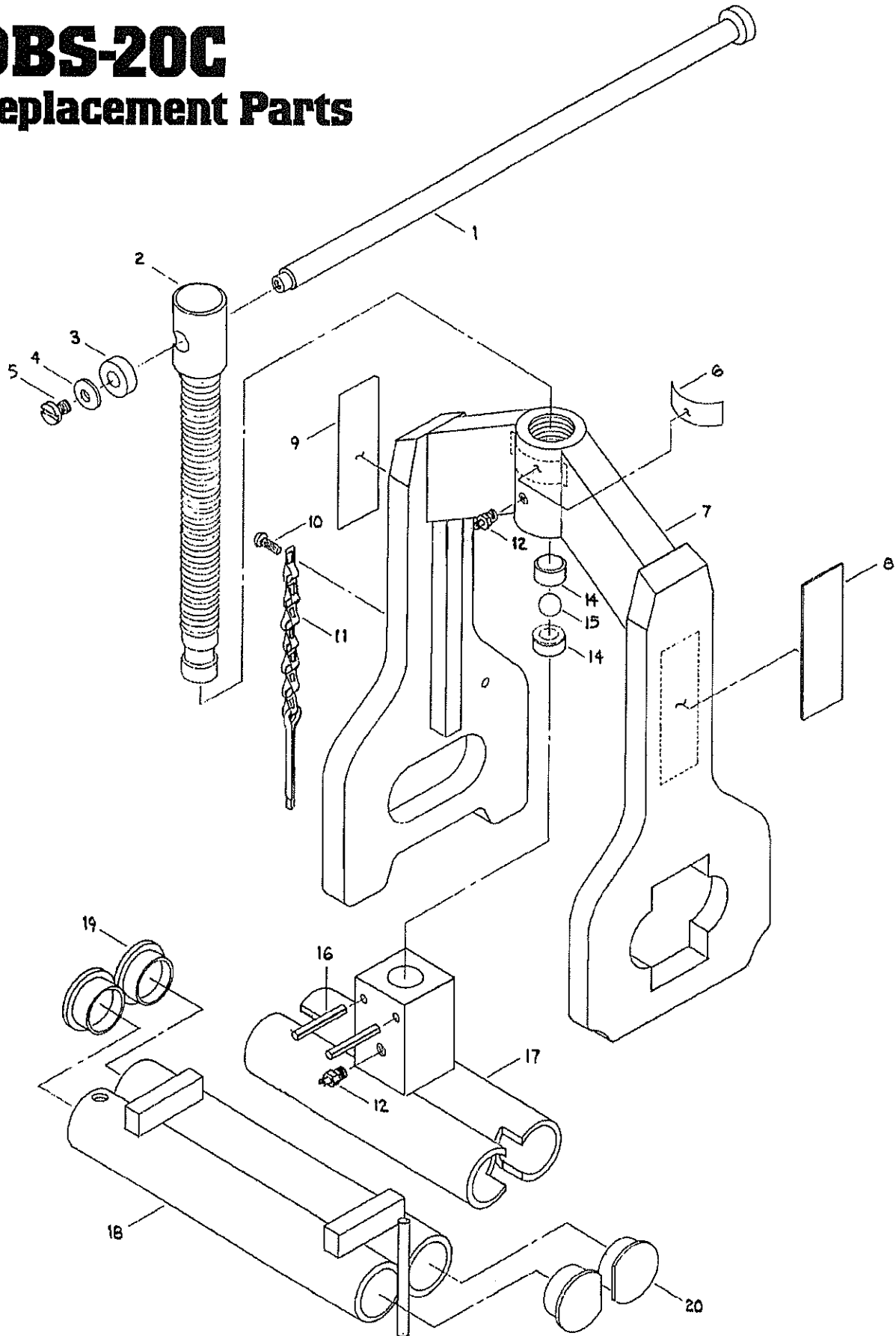


DBS-20C Replacement Parts



MUSTANG
Squeeze Tools

2401 Lockheed Way
Carson City, NV 89706

775.883.0732 Tel
775.883.3372 Fax

mustangmfg@gbis.com
www.squeezetool.com

**MUSTANG MODEL DBS-20C
MANUAL SQUEEZE TOOL PARTS LIST**

ITEM	DESCRIPTION	QTY.	PART NO.
1	Handle - 12" *	1	4-20C
3	Handle Button *	1	6-20C
4	No. 10 Flat Washer *	1	1-20C
5	10-32 X 3/8" Slotted Pan Head Screw *	1	5-20C
	HANDLE ASSEMBLY - COMPLETE *	1	15-20C
	(Incl. Handle, button, washer & screw)		
2	Power Screw	1	2-20C
6	Nameplate - Caution/Center	1	11-20C
7	DBS-20C Frame Weldment (without upper jaw & power screw)	1	14-20C
8	Nameplate - Model/Capacity (Please specify sizes)	1	N-4
9	Nameplate - Manual Operation	1	N-5
10	No. 8 x 1/2" Drive Screw	1	10-20C
11	Chain & Pin	1	8-20C
12	Grease Fitting	2	P-7
14	Bearing Race (PAIR)	2	9-20C
15	1/2" Dia. Ball Bearing	1	7-20C
16	3/16" Dia. X 1 1/4" Roll Pin	2	12-20C
17	Upper Jaw Assembly - Complete for DBS-20C/24C ***	1	3-20C
18	Lower Jaw (Please specify sizes)	1	LJ-20C
19	Lower Jaw End Plug - SIZE (Please specify sizes)	2	38-20C
20	Lower Jaw End Plug - Cut	2	39-20C
	*** (incl. roll pins, ball bearing, bearing races, grease fitting)		